



C.L-CNC-500

高精度雕铣机

三轴、四轴、五轴全自动

功能

全自动无须人员看管，省人，结合多道工艺工序为一体，一次性全自动加工系列，是生产高精度五金系列产品的全自动设备，此机采用全花岗岩大理石机身，床身精度达到UM级，且不易变形，长久耐用。

优点

- 省人、省事、省时间，一次性加工到位
- 高精度度，所有尺寸标准统一
- 人性化操作系统，进口配置，功能齐全，执行命令快速无误
- 全自动夹具，调节方便，配备全缓冲系统，快速安全

High precision engraving and milling machine

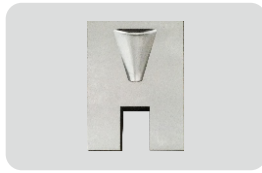
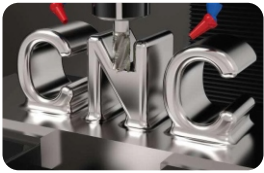
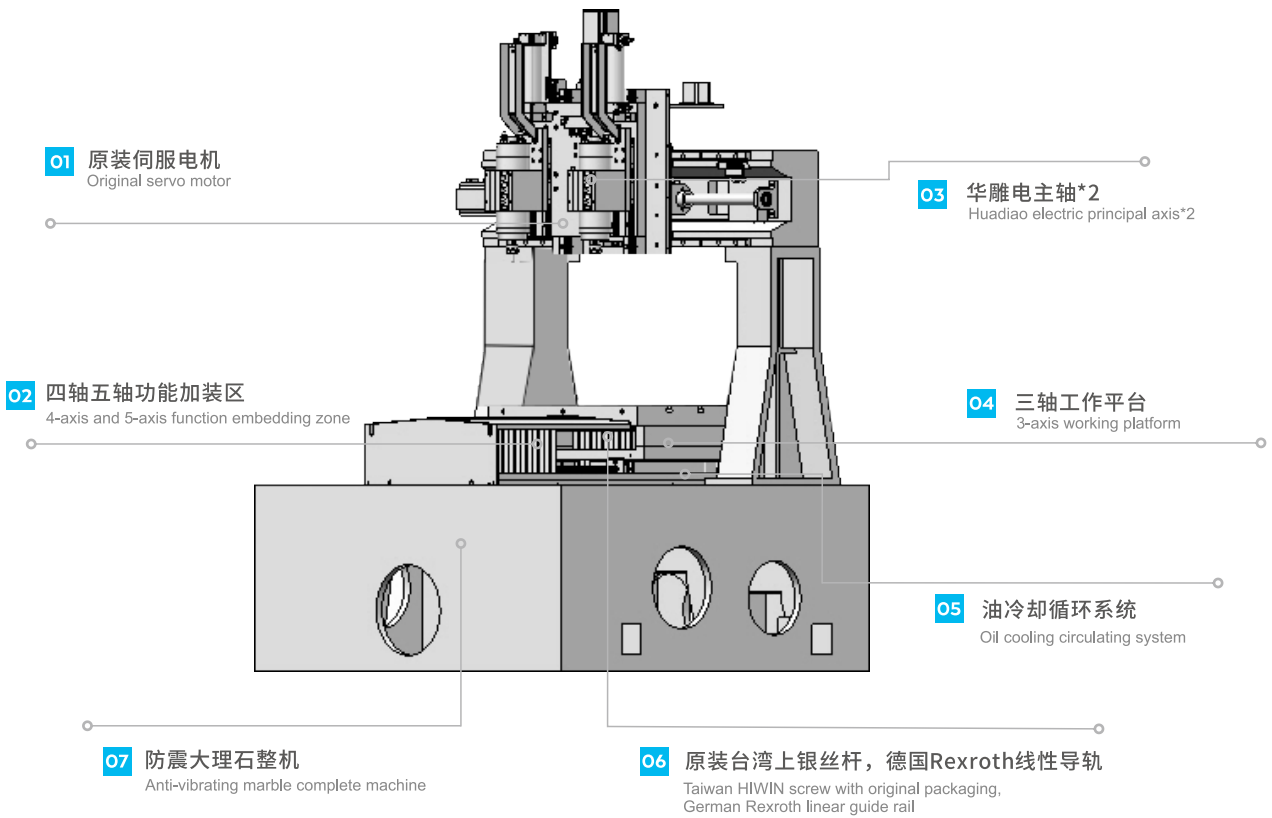
Three-spindle, four-spindle, five-spindle full-automatic

Functions

It is full-automatic, without personnel watching, saves labor, and integrates the multiple processes. It is the full-automatic processing series and the full-automatic equipment of producing the high-precision hardware series products. It uses the granite marble machine body, and the body precision reaches class-UM, so it is not easily deformed, and durable for a long time.

Advantages

- It can save labor, trouble and time, and realize the one-time processing.
- The precision is high, and all sizes are standard and unified.
- It has the humanized operating system, imported configuration and complete function, and executes the command fast and accurately.
- The automatic fixture adjustment is convenient, and it is equipped with the full buffer system, quick and safe.



技术参数 / Technical Parameters

性能指标项 Performance index	标准值 Standard value	主轴转速 (rpm) Spindle speed (rpm)	0—30000
工作台面积 (mm) Working table area (mm)	500*400	三轴快速移动 (m/min) Three-spindle fast moving (m/min)	30m/min
X、Y、Z轴运动定位精度 Positional accuracy of X/Y/Z axes movement	0.015mm	工作台最重载重量 (KG) Largest carrying capacity of workbench (KG)	250
X、Y、Z轴重复定位精度 The accuracy of repetitive positioning of X/Y/Z/A axes	0.010mm	刀柄规格: Shank mode:	BT30
X、Y、Z轴工作行程 Operating stroke of X/Y/Z axes	600mm*500mm*200mm	工作电压: Working voltage:	380V/三相 380 V/ Three-phase
主轴端面至工作台面的距离 Distance from spindle face to workbench surface	115-300	机床尺寸 (长宽高) (mm) Machine dimension (W x H x L) (mm)	1600*1500*2000
主轴孔锥度及主轴套外径 Spindle taper and spindle sleeve outer diameter	BT30/φ95	床体重量 (KG) Machine tool weight (KG)	2500
操作系统 Operating system	新代系统+手执盒 SYNTEC system +hand box		