

## C.L-CNC-002

### 多功能高精密五轴机

车片、金属雕铣、铝架、胶架

#### 功能

此机有二个工作位，一个三轴工作位，一个四轴/五轴工作位，具有3-5个主轴刀头，雕铣工件一次成型，效率高、精度好。可选配四轴、五轴功能。可选配高光机头，加工光洁度无需打磨，光洁亮丽。可加工金属配件、铝架眼镜框、车片、镜片反雕、胶架眼镜框等。

#### 优点

是目前唯一一款二个工作站五轴多功能机，一机多用，高光加工光洁亮丽，达到镜面效果，无须抛光打磨，可选配带刀库（8把）配置。

### CNC multi-function two station all-in-one machine

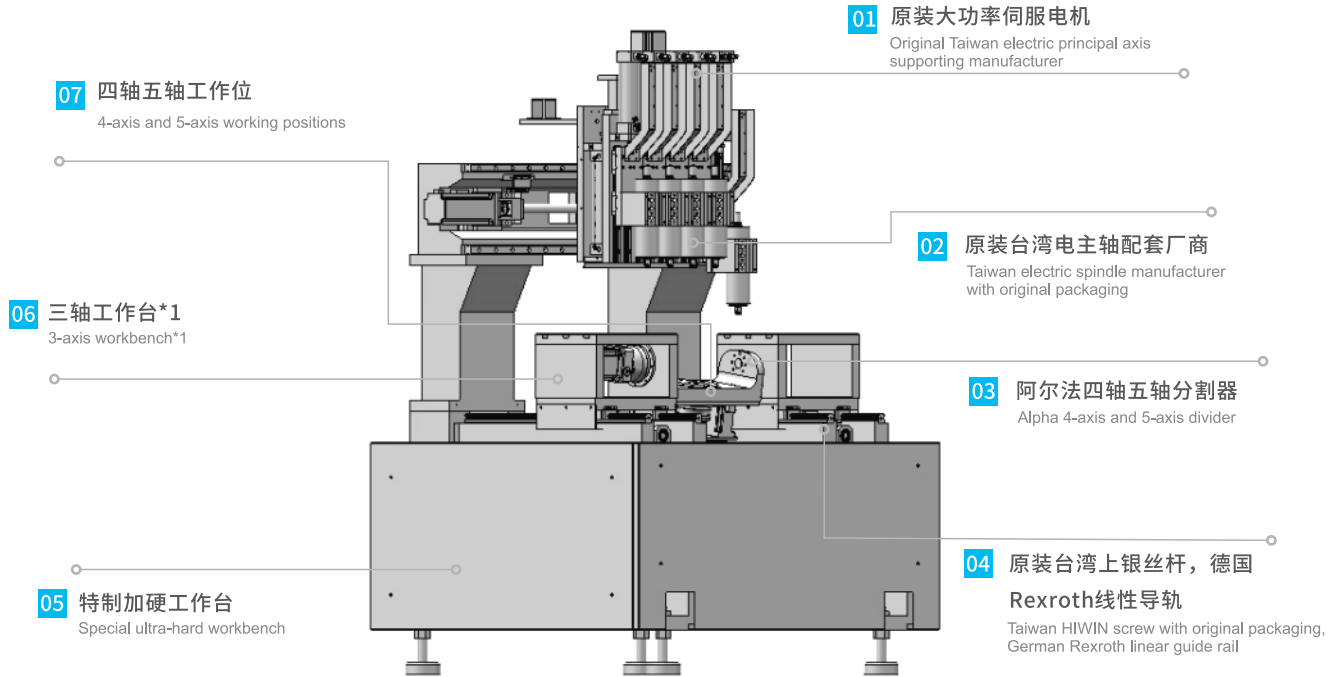
Cutting and Carving lens, Metal glasses, Acetate glasses, Aluminum glasses

#### Functions

This machine has two working position, one three axis working position, one four axis / five axis working position. With 3-5 spindle heads, the carving and milling parts are formed at one time, with high efficiency and good accuracy. Optional four axis, five axis function. Optional high gloss head, smooth finish without polishing. Bright and clean. metal fittings, aluminum frames, Carving and cutting lenses. Acetate frame and so on.

#### Advantages

It is currently the only five axis multifunctional machine with two workstations and one machine with multiple functions. High gloss finish is bright and bright, achieving mirror effect without polishing and polishing, Optional tool library (8 knives) configuration.



**01 原装大功率伺服电机**  
Original Taiwan electric principal axis supporting manufacturer

**02 原装台湾电主轴配套厂商**  
Taiwan electric spindle manufacturer with original packaging

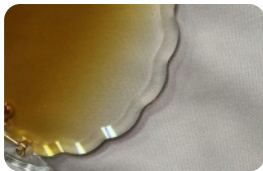
**03 阿尔法四轴五轴分割器**  
Alpha 4-axis and 5-axis divider

**04 原装台湾上银丝杆, 德国 Rexroth线性导轨**  
Taiwan HIWIN screw with original packaging, German Rexroth linear guide rail

**07 四轴五轴工作台**  
4-axis and 5-axis working positions

**06 三轴工作台\*1**  
3-axis workbench\*1

**05 特制加硬工作台**  
Special ultra-hard workbench



## 技术参数 / Technical Parameters

性能指标项 Performance index	标准值 standard value	刀具规格 Shank mode	ER-11/16
工作台面积 Positional accuracy of X/Y/Z axes movement	700*420mm	工作电压 Working voltage	380V/三相 380 V/ Three-phase
X、Y、Z轴运动定位精度 Positional accuracy of X/Y/Z axes movement	0.015mm	主轴转速 Spindle speed	20000-60000rpm Delta servo x5 shaft
X、Y、Z轴重复定位精度 The accuracy of repetitive positioning of X/Y/Z/A axes	0.010mm	三轴快速移动 Three-spindle fast moving	48m/min New generation system +hand box
X、Y、Z轴工作行程 Operating stroke of X/Y/Z axes	600mm*400mm*300mm	工作台最重载重量 Largest carrying capacity of workbench	300KG
主轴端面至工作台面的距离 Distance from spindle face to workbench surface	115-450(加高型300-600)	床体重量(KG) Machine tool weight(KG)	2500KG
操作系统 Operating system	新代系统+手执盒 SYNTEC system +hand box	机床尺寸 Machine dimension	1350*1450*2000mm